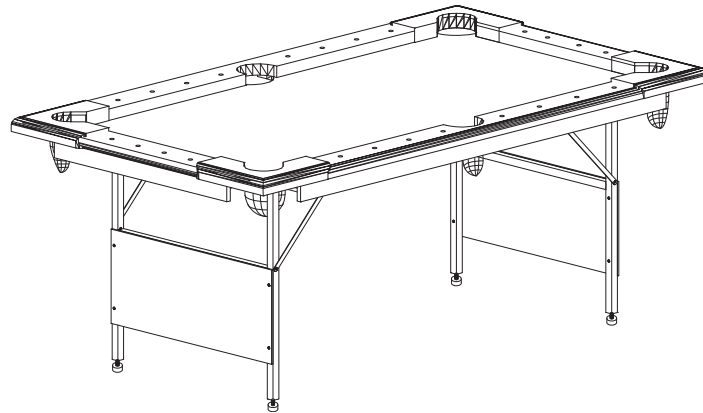


TRUESHOT FOLD-UP BILLIARD TABLE



Replacement Parts

Order direct at www.gldproducts.com
or call our Customer Service department at
(800) 225-7593
8 am to 4:30 pm Central Standard Time

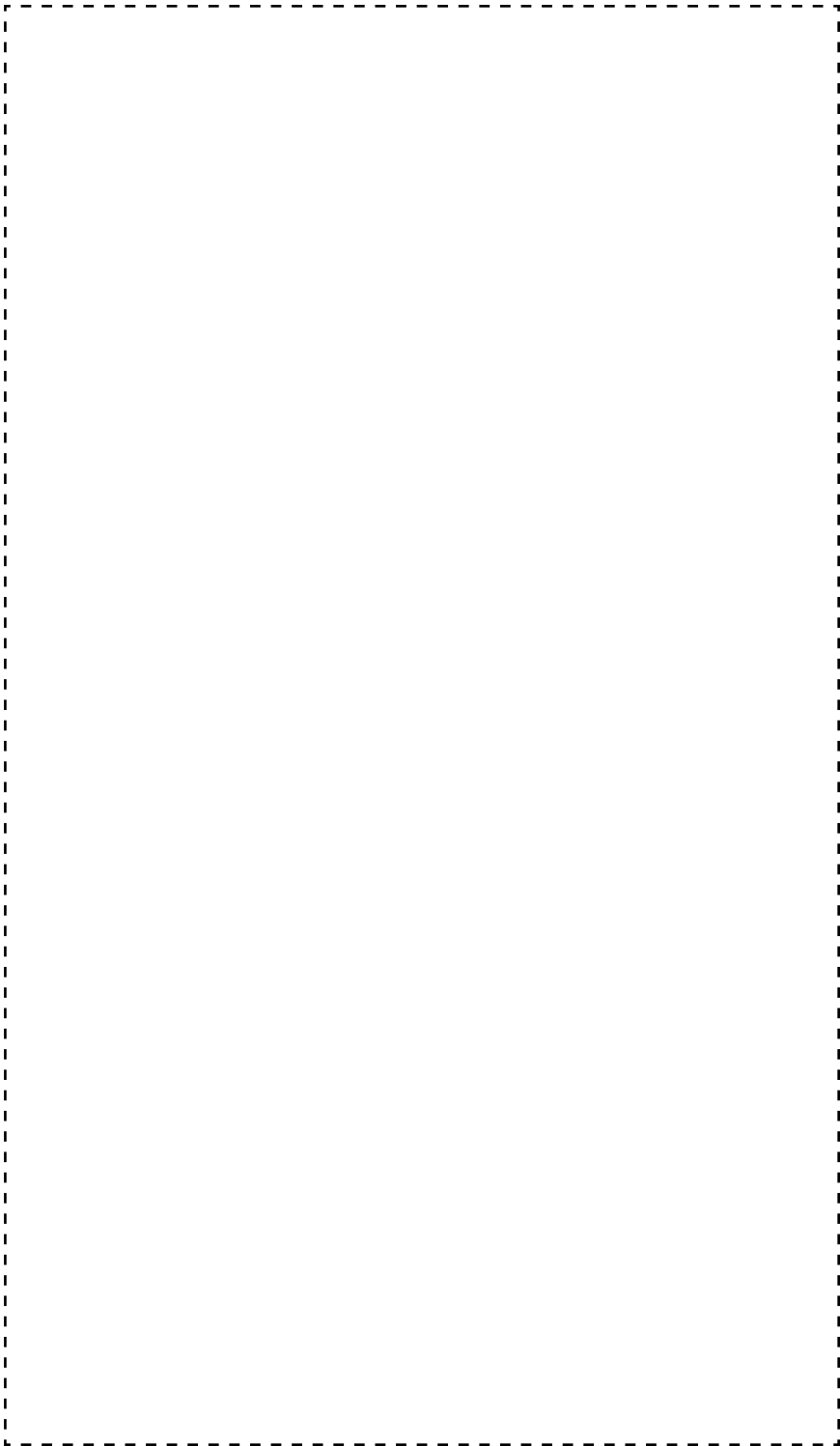
GLD Products

Trueshot Billiard Table

Item 64-6035

Staple your receipt here.

Important: A copy of your receipt will be needed to activate your warranty (see page 10).





Congratulations and THANK YOU for purchasing the Trueshot Billiard Table. You have chosen a product that should provide years of entertainment. To assist you with customer service and warranty claims, staple your receipt to the inside cover, then keep this manual in a safe place for future reference.

GLD Products

S84 W19093 Enterprise Drive
Muskego, WI 53150 USA
1-800-225-7593
Fax: 1-800-841-6944
Email: gld@gldmfg.com
Web: www.gldproducts.com

This manual may have been updated. For the latest manual visit the GLD products website.

	<p>Place your package near the location where it will be used. Carefully unpack all components and verify you have all the correct pieces.</p> <p>If you notice missing or defective parts, please call us at: 1-800-225-7593</p>
---	--




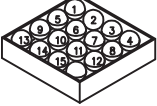
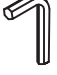



	<p>Please read and understand all instructions before beginning assembly.</p> <p>This assembly will require 2 adults.</p> <p>This product is not for use by children without adult supervision.</p>
---	--

GLD Products

Trueshot Billiard Table

Parts Identifier

Item 64-6035

Part No./ Qty	Illustration/ Order Number	Part No./ Qty	Illustration/ Order Number	Part No./ Qty	Illustration/ Order Number
1 Qty 1	 Main Frame Order No. 1-284	2 Qty 4	 6 x 15 mm Bolt Order No. 1-285	3 Qty 2	 Cue Order No. 1-286
4 Qty 1	 Billiard Balls Order No. 1-287	5 Qty 1	 Allen Key Order No. 1-288	6 Qty 2	 Chalk Order No. 1-289
7 Qty 1	 Triangle Order No. 1-290	8 Qty 1	 Brush Order No. 1-291		

IF YOU HAVE A WARRANTY CLAIM, CALL US FIRST:

Please refer to page 10.

GLD Products

Available 8 am to 4:30 pm Central Standard Time

S84 W19093 Enterprise Drive
Muskego, WI 53150 USA
1-800-225-7593
Fax: 1-800-841-6944
Email: gld@gldmfg.com
Web: www.gldproducts.com

For all claims, please have your receipt and item number when you call. The product item number can be found on the front cover.

If you are instructed to return the product for service, you are responsible for shipping the unit at your expense.

PRODUCT REGISTRATION

Important: The product registration form on page 11 and a copy of your receipt must be completed and returned within 10 days of purchase to validate your warranty.

Online registration is also available. Go to <http://gldproducts.com/warranty-information> or click on this link. Follow the online instructions.

Preparing for Assembly

- Be sure to unpack all of the parts included in this package. Some parts may be in obscure locations of the packaging. Check inside any tubes or sleeves. Save all packing material until the product is fully assembled and functional.
- Compare the parts in your package with the Parts Identifier description on page 4.
- After unpacking large products, some disassembly may be required prior to beginning the assembly.

Tools Required

- Level (not included)

Precautions to Prevent Personal Injury and Damage

- Indoor only tables will not withstand outdoor conditions. If using the table outdoors, move it indoors as soon as possible.
- Be alert for surface changes when moving the table. Cracks and changes in the slope may cause the table to tip over.
- The table is not designed for supporting heavy loads. Do not place heavy items on the table. Collapse of the support structure is possible. Do not sit or stand on the top of the table.
- When using the table all the support legs must be in contact with the floor. Failure to properly support the table may damage the frame and table top.
- Opening or closing the table presents a risk for pinching. Keep all children away and alert adults when folding or unfolding the table top.
- Liquids on the playing surface will damage the table top. Wipe up any spills immediately.

For Outdoor Tables

- Strong winds may move or tip the table over. Take precautions as needed to prevent damage or injury.
- Do not leave accessories outside. They will likely be damaged by outdoor conditions.

Assembly Tips

Make sure you understand the following before you begin to assemble your table.

1. READ THIS MANUAL all the way through before beginning assembly.
2. Some drawings or images in this manual may not look exactly like your product.
3. You will need a second adult to assist with this assembly.

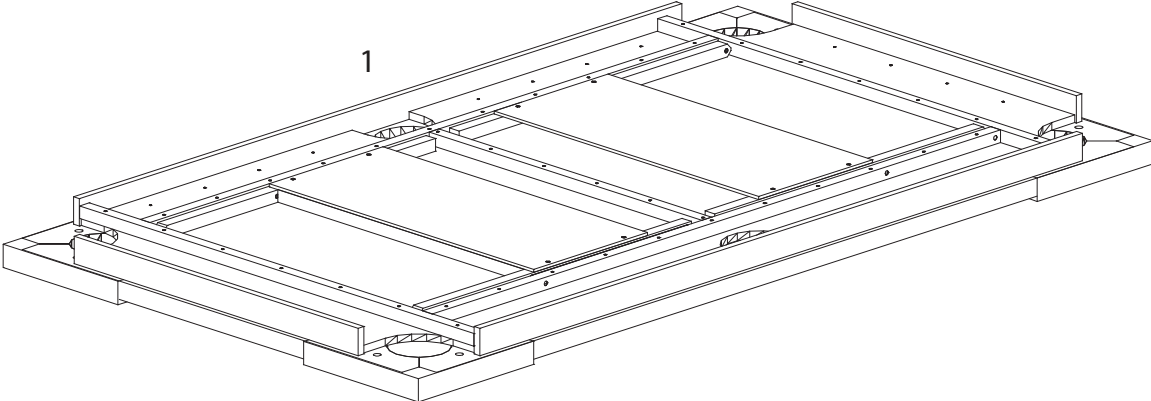
Note: Save all packing materials until the parts have been inspected and the table is assembled.

Unpack the Pieces

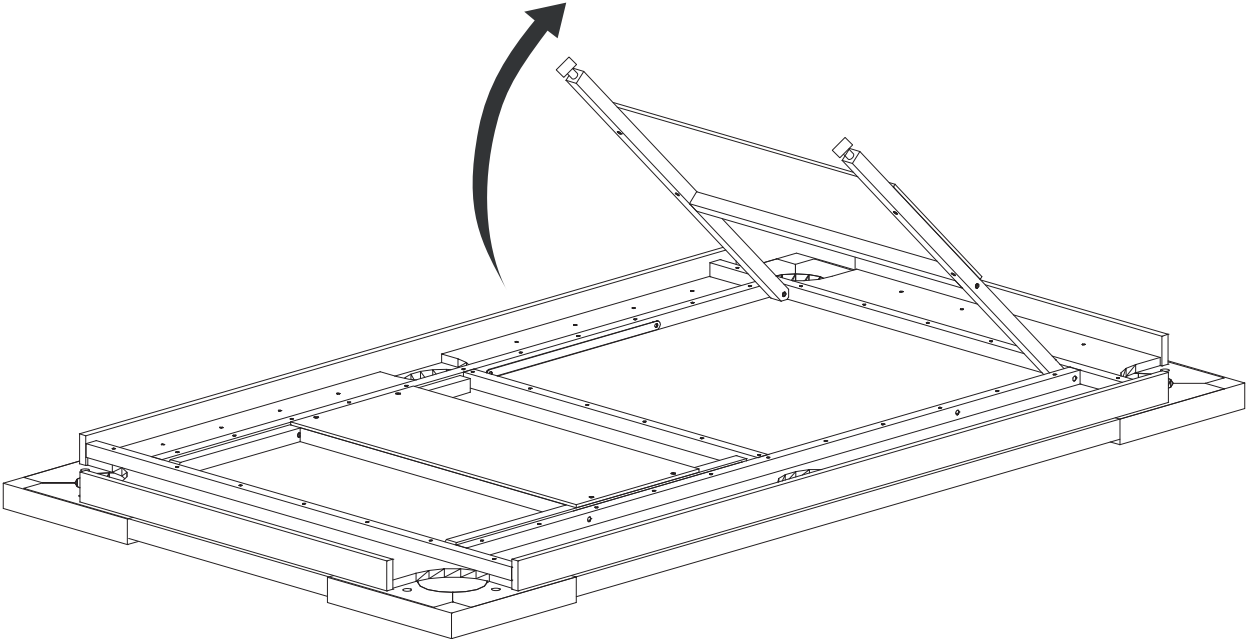
- Lay the box on a flat surface (floor). You may want this near your area of assembly.
- Unpack the boxes and part bags. Inspect and count the parts. The Parts Identifier page can be used to record your results.
- If any parts are damaged or missing contact GLD customer service.

STEPS TO OPEN THE TABLE

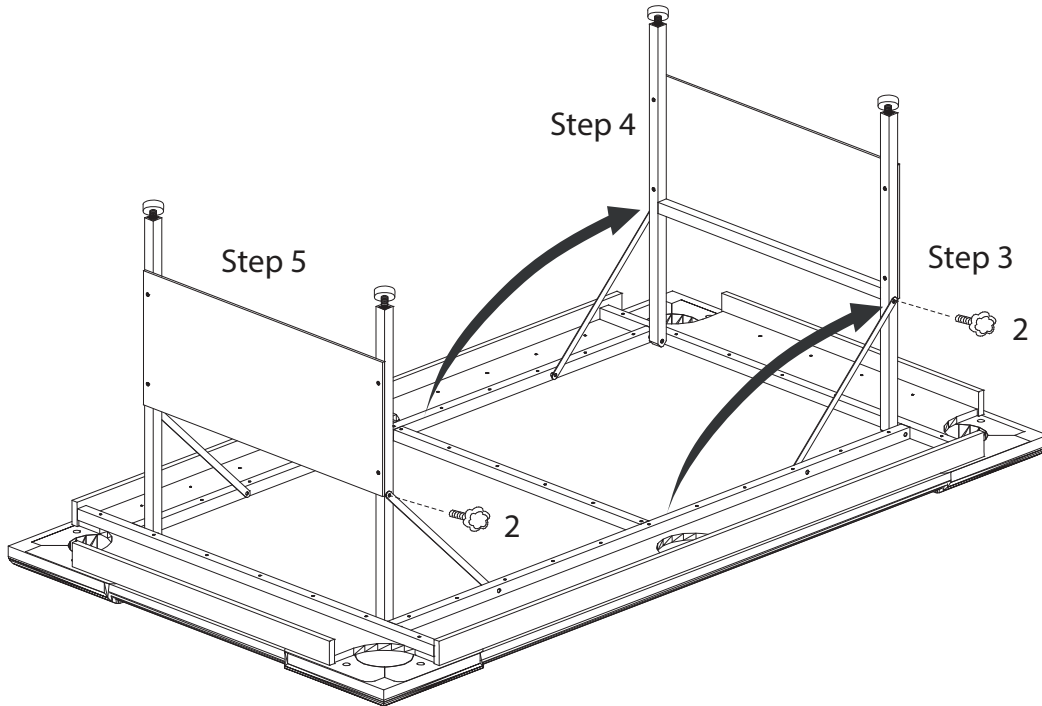
1. Place the mainframe (#1) on a level surface with the playing side down.



2. Swing one of the legs upward.



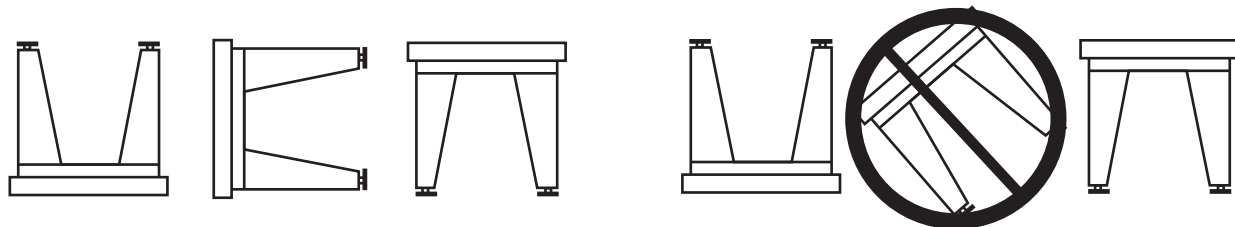
3. Swing one of the leg support brackets up. When the hole on the support bracket lines up with the threaded hole in the outside of the leg, insert the bolt (#2) and tighten.
4. Repeat step 3 on the other side of the leg.
5. Repeat step 3 and 4 on the second leg.



TO TURN THE TABLE OVER

The base assembly is ready to be turned over.
USE AT LEAST TWO PEOPLE TO LIFT THE BASE ASSEMBLY AND TURN IT OVER TO REST ON THE LEGS.

DO NOT ROLL THE TABLE OVER. This will place a sideways force on the legs. The legs should be off the floor until the base assembly is rotated completely. Set the base assembly down.



TO CLOSE THE TABLE

1. Remove everything from the top of the table.
2. Turn the table over.
3. Remove the leg brace bolts (#2). Swing the leg braces toward the table center and down.
4. Swing the legs down into the frame of the table.
5. Repeat for the second leg set.

TO LEVEL THE TABLE

Use a carpenters level to adjust the legs as needed until the table is level. The table should be set-up on a level surface. If the surface is slightly uneven the legs and casters can each be adjusted about 3/8 inch. The leg adjusters are screwed in or out.

CARE AND USE OF YOUR TABLE

- This product is intended for INDOOR use only.
- DO NOT sit, climb, or lean on the table.
- DO NOT drag the table when moving it. This will damage the legs.
- To clean the hard surfaces spray a cloth with a mild cleaner and wipe.

90-DAY LIMITED WARRANTY

The Manufacturer warrants to the original retail purchaser that this product is free from defects in material and workmanship under normal use and conditions for a period of ninety (90) days from the date of original purchase. The Manufacturer's liability is limited to the repair or replacement, at its option, of any defective product and shall not include any liability for indirect, incidental or consequential damages of any kind.

Should this product become defective due to material or workmanship within the warranty period, contact our Customer Service Department. This warranty is not transferable and does not cover normal wear and tear or damage caused by improper usage, negligence, misuse, abuse, transportation damage, acts of nature, or accident (including failure to follow the instructions in this manual). It does not cover expendable items such as batteries, light bulbs, fuses, accessories, cosmetic parts and other items that wear out due to normal usage, including felt covered areas of the playing surface. This warranty is also void if the product is disassembled and reassembled, damaged, modified from its original state, or used for other than indoor personal residential use (no commercial or rental applications). This warranty gives you specific legal rights, and you may have other rights which vary from state to state.

IF YOU HAVE A WARRANTY CLAIM, CALL US FIRST (8 - 4:30 CST):

Please have your receipt and item number (found on the front cover) when you call.

GLD Products

S84 W19093 Enterprise Drive

Muskego, WI 53150 USA

1-800-225-7593

Fax: 1-800-841-6944

Email: gld@gldmfg.com

Web: www.gldproducts.com

If you are instructed to return the product for service, you are responsible for shipping the unit at your expense to the above address in packaging that will protect against further damage. All warranty or repair requests require a Return Authorization Number prior to returning the item.

PRODUCT REGISTRATION

Important: The product registration form on page 11 must be completed and returned along with a copy of your receipt within 10 days of purchase to validate your warranty.

On-line registration is also available. Go to <http://gldproducts.com/warranty-information> or click on this link. Follow the online instructions.

REGISTER YOUR PRODUCT

Place postage here

Complete this form, include a copy of your receipt, fold, tape (do not staple) and return within 10 days of purchase. This protects your warranty and will help us develop new products!

Cut here.

GLD Products
Warranty Department
S84 W19093 Enterprise Drive
Muskego, WI 53150 USA

Fold here second.



www.gldproducts.com

- | | |
|-----------------------|----------------------------|
| GAME TABLES | HOME CASINO |
| GAMES AND ACCESSORIES | BILLIARD CUES |
| BILLIARD ACCESSORIES | DARTBOARDS |
| SOFT-TIP DARTS | STEEL-TIP DARTS |
| FLIGHTS AND SHAFTS | DART CASES AND ACCESSORIES |

Fold here first.

Name	Date of Purchase
Address	Phone-Day
City	Phone-Evening
State Zip	Email
Purchase Price:	Item: 64-6035 Trueshot Fold-Up Billiard Table
Store Name:	

Remember to attach a copy of your receipt.

This page is left blank intentionally.

Parts Re-Order

Please call or consult the GLD website, www.gldproducts.com, to order the following parts.

Order No.	Description
1-284	Main Frame
1-285	6 x 15 mm Bolt
1-286	Cue
1-287	Billiard Balls
1-288	Allen Key
1-289	Chalk
1-290	Triangle
1-291	Brush

This page is left blank intentionally.



www.gldproducts.com

GAME TABLES

HOME CASINO

GAMES AND ACCESSORIES

BILLIARD CUES

BILLIARD ACCESSORIES

DARTBOARDS

SOFT-TIP DARTS

STEEL-TIP DARTS

FLIGHTS AND SHAFTS

DART CASES AND ACCESSORIES



PROUD MANUFACTURER OF



S84 W19093 Enterprise Drive • Muskego, WI 53150 USA
262.679.8730 or 1.800.225.7593 tele
262.679.8738 or 1.800.841.6944 fax
Email: gld@gldmfg.com
www.gldproducts.com