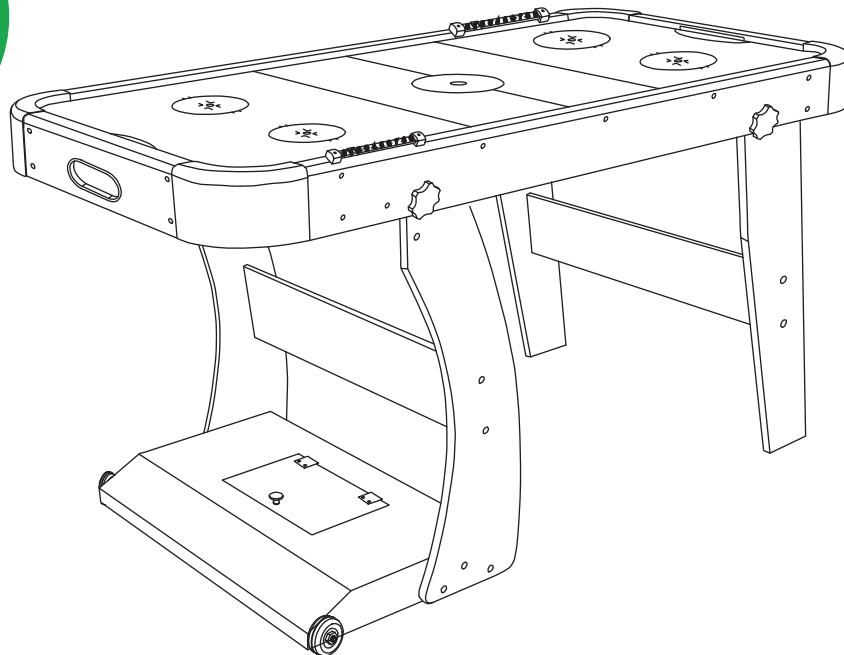


SPACE SAVING AIR HOCKEY TABLE

Assembly videos
available at
gldproducts.com



Videos para armar
disponible en
gldproducts.com



Replacement Parts

Order direct at www.gldproducts.com
or call our Customer Service department at
(800) 225-7593
8 am to 4:30 pm Central Standard Time

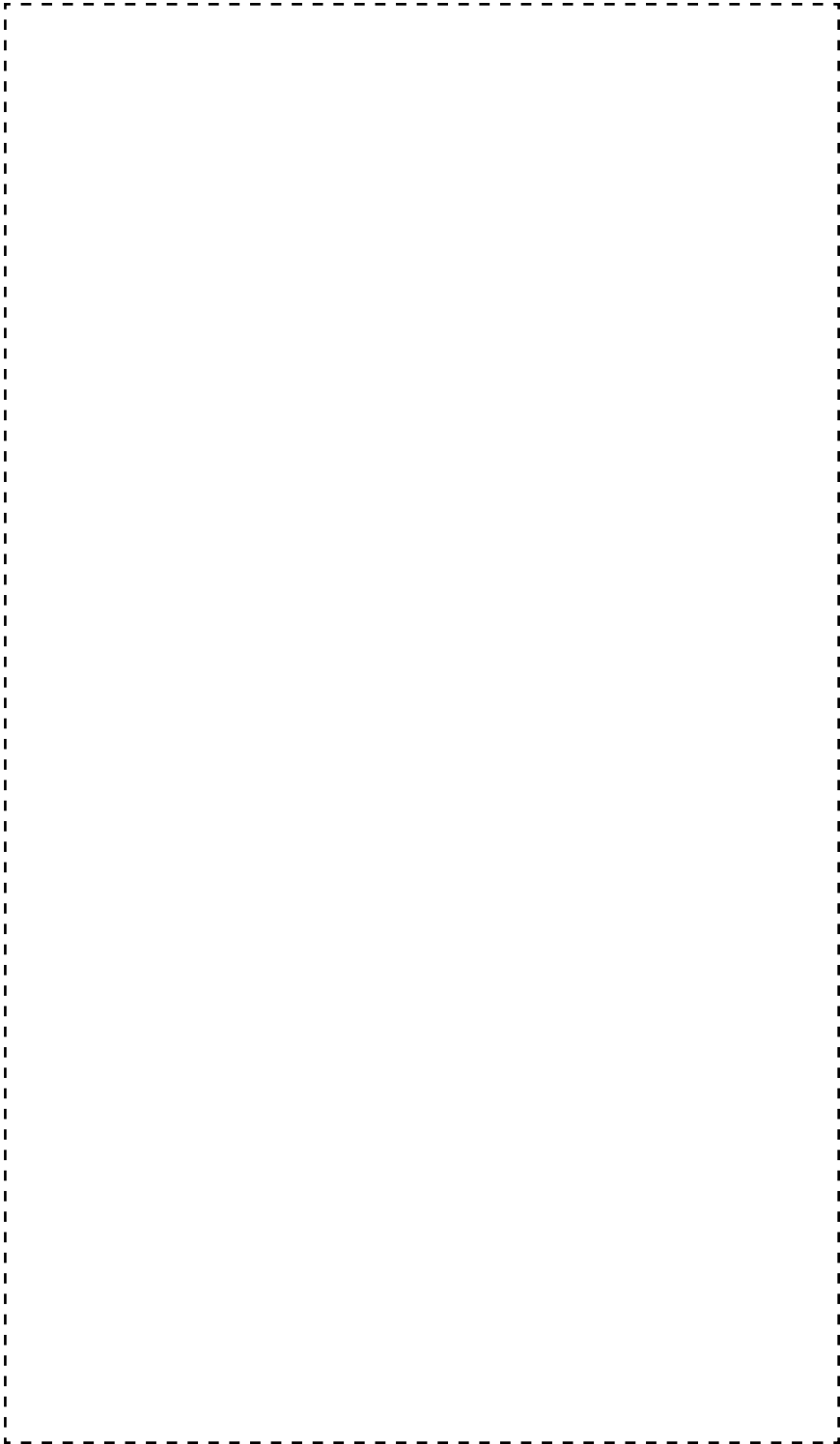
GLD Products

Space Saving Air Hockey Table

Item 64-6030

Staple your receipt here.

Important: A copy of your receipt will be needed to activate your warranty (see page 17).





Congratulations and THANK YOU for purchasing the Space Saving Air Hockey Table. You have chosen a product that should provide years of entertainment. To assist you with customer service and warranty claims, staple your receipt to the inside cover, then keep this manual in a safe place for future reference.

GLD Products

S84 W19093 Enterprise Drive
Muskego, WI 53150 USA
1-800-225-7593
Fax: 1-800-841-6944
Email: gld@gldmfg.com
Web: www.gldproducts.com

This manual may have been updated. For the latest manual visit the GLD products website.

	<p>Place your package near the location where it will be used. Carefully unpack all components and verify you have all the correct pieces.</p> <p>If you notice missing or defective parts, please call us at: 1-800-225-7593.</p>
---	---

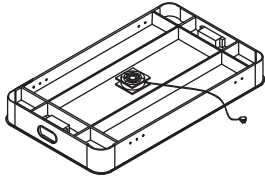
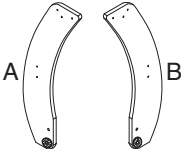
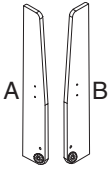
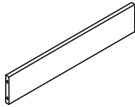
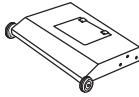






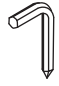



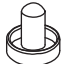


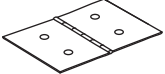
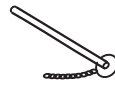

	<p>Please read and understand all instructions before beginning assembly.</p> <p>This assembly will require 2 adults.</p> <p>This product is not for use by children without adult supervision.</p>
---	--

GLD Products

Space Saving Air Hockey Table

Parts Identifier

Item 64-6030

Part No./ Qty	Illustration/Order Number	Part No./ Qty	Illustration/Order Number	Part No./ Qty	Illustration/Order Number
1 Qty. 1	 Table Assembly Order No. 4-171	2 Qty. 2	 Curved Leg Order No. 4-172	3 Qty. 2	 Leg Order No. 4-173
4 Qty. 2	 End Leg Brace Order No. 4-174	5 Qty. 1	 Goal Box Order No. 4-175	6 Qty. 1	 Cover Board Order No. 4-176
7 Qty. 8	 3.5 x 10.5 mm Washer Head Screw Order No. 4-177	8 Qty. 12	 18 x 6.5 mm Washer Order No. 3-187	9 Qty. 4	 3.5 x 25 mm Flat Head Screw Order No. 3-286
10 Qty. 12	 6 x 40 mm Leg Bolt Order No. 4-178	11 Qty. 1	 Wrench Order No. 2-25	12 Qty. 1	 Allen Wrench Order No. 3-190
13 Qty. 4	 M8 Nut Order No. 4-179	14 Qty. 4	 8 x 40 mm Wing Bolt Order No. 4-180	15 Qty. 2	 Scorer Order No. 4-181
16 Qty. 2	 Pusher Order No. 4-182	17 Qty. 2	 Puck Order No. 4-183	18 Qty. 2	 Felt Pad Order No. 4-184
19 Qty. 2	 Hinge Order No. 4-200	20 Qty. 2	 Pin Order No. 4-201	21 Qty. 2	 3.5 x 12 mm Washer Head Screw Order No. 3-285

IF YOU HAVE A WARRANTY CLAIM, CALL US FIRST:

Please refer to page 17.

GLD Products

Available 8 am to 4:30 pm Central Standard Time

S84 W19093 Enterprise Drive
Muskego, WI 53150 USA

1-800-225-7593

Fax: 1-800-841-6944

Email: gld@gldmfg.com

Web: www.gldproducts.com


For all claims, please have your receipt and item number when you call. The product item number can be found on the front cover.

If you are instructed to return the product for service, you are responsible for shipping the unit at your expense.

PRODUCT REGISTRATION


Important: The product registration form on page 19 and a copy of your receipt must be completed and returned within 10 days of purchase to validate your warranty.

Online registration is also available. Go to www.gldproducts.com/warranty-registration or click on this link. Follow the online instructions.

	WARNING: Parents - Please read instructions carefully. Not for use by children without adult supervision.
---	--

Preparing for Assembly

- Be sure to unpack all of the parts included in this package. Some parts may be in obscure locations of the packaging. Check inside any tubes or sleeves. Save all packing material until the product is fully assembled and functional.
- Compare the parts in your package with the Parts Identifier description on page 4.
- After unpacking large products, some disassembly may be required prior to beginning the assembly.

	WARNING: Parents - Plastic bags and small parts will be present during assembly. These are a choking hazard for small children. Keep children under the age of 3 years away during assembly.
---	---

Tools Required

- Allen wrench (#20) - included with table
- Open end wrench (#19) - included with table
- Phillips screwdriver (not included)
- Level (not included)
- Electric screwdriver may be helpful.

CAUTION: You must set at LOW TORQUE and use extreme caution because you could overtighten the hardware, strip the screws or damage the table.

Assembly Tips

Make sure you understand the following before you begin to assemble your game table.

1. READ THIS MANUAL all the way through before beginning assembly.
2. When installing parts that have more than one bolt, start ALL bolts in that part by hand before tightening anything.
3. Some drawings or images in this manual may not look exactly like your product.
4. You will need a second adult to assist with this assembly.

Note: Save all packing materials until the parts have been inspected and the table is assembled.

Unpack the Pieces

- Lay the box on a flat surface (floor). You may want this near your area of assembly.
- Unpack the boxes and part bags. Inspect and count the parts. The Parts Identifier page can be used to record your results.
- If any parts are damaged or missing contact GLD customer service.
- Missing fasteners may be purchased at a hardware store using the descriptions on the Parts Identifier page(s).

STEPS TO ATTACH THE LEGS

1. Place the pre-assembled table assembly (#1) top down on a flat work area.

Note: If the work surface is rough, use the cardboard packaging material over the rough surface. This will help prevent scratches.

2. Locate the end of the table that has two holes in the apron. Position a curved leg (#2) so that it points away from the center of the table. The two legs are not the same. Look at both sides of a leg. One side has a plastic disk. That plastic disk must be on the outside of each leg to allow the legs to lock in position. Position the locking disk on the curved leg to line up and lock with the disk mounted on the side skirt.

3. Attach the two curved legs (#2) using wing bolts (#14).

4. Hold a leg (#2) in position with the locking disks seated together. Screw the wing bolt (#14) through the side skirt and into the leg (#2). When the threads of the wing bolt (#14) begin to show on the inside, screw one of the nuts (#13) onto the threads.

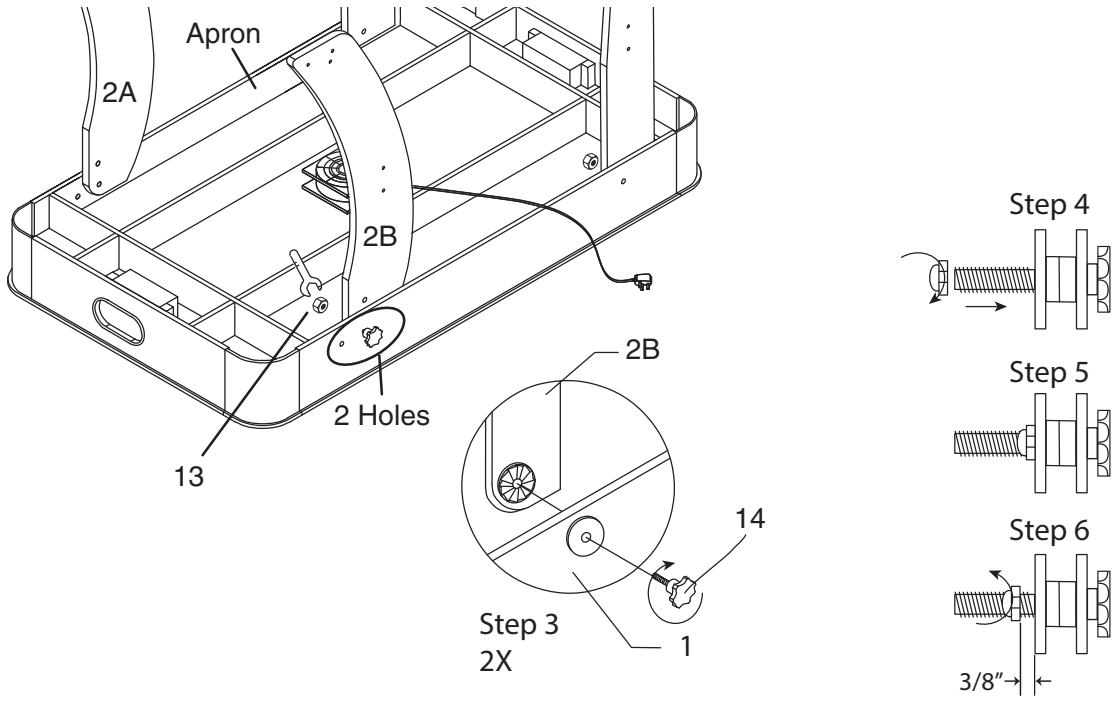
Note: Only one side of the nut will thread onto the wing bolts. The side with the round dome has a plastic insert that will "lock" the nut in position. Thread the nut onto the wing bolt putting the flat side first.

5. Use the wrench (#11) to hold the nut (#13) and screw in the wing bolt. When the wing bolt (#14) is completely screwed in, the nut (#13) will need to be adjusted.

Note: When the position of the nut on the threads of the wing bolt is correct, the plastic disks on the leg and table skirt will disengage enough to allow the leg to swing up and down. If the nut is backed away too far, the leg will be excessively loose (wobbly) during the folding process.

6. Adjust the position of the nut (#13) so the wing bolt (#14) is screwed in completely and the two plastic disks are engaged. Hold the wing bolt (#14) and put the wrench (#11) on the nut (#13). Move the nut until there is a gap of 3/8" between the nut (#13) and the leg (#2). Test the movement of the leg (hold the leg with one hand) by unscrewing the wing bolt (#14) until the nut (#13) contacts the inside of the leg. The leg should move up and down easily. The plastic disks should pass over each other and the leg should not be excessively loose (wobbly). Adjust the nut (#13) on the wing bolt (#14) as needed.

7. Repeat Steps 4, 5 and 6 on the second curved leg (#2).

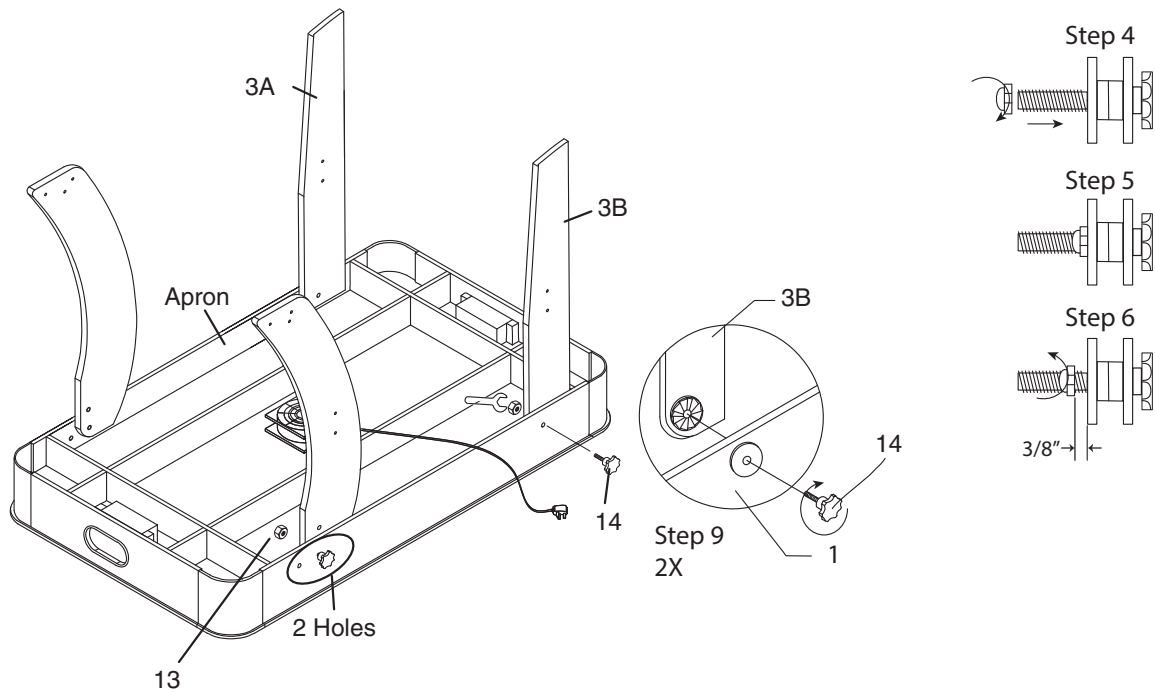


- 8. The two straight legs (#3) are attached at the other end of the table. One side of the leg is tapered toward the bottom of the leg. The taper should face toward the center of the table. Position the legs so the locking disk on the leg lines up and locks with the disk mounted on the side skirt.

Note: The two straight legs (#3) have rounded corners near the locking disks. The round corner must face toward the curved legs (#2) or the straight legs will not collapse in the correct direction.

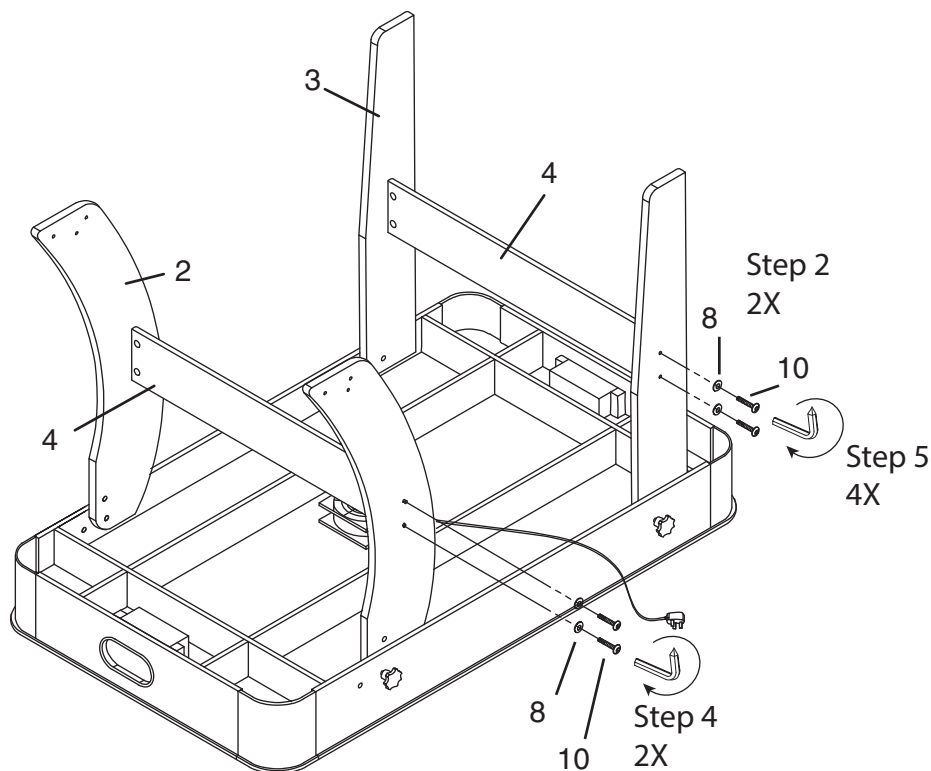
- 9. Attach the two straight legs (#3) using wing bolts (#14).

- 10. Follow Steps 4 through 7 to attach the straight legs (#3),



STEPS TO ATTACH THE LEG BRACES

1. Position one of the leg braces (#4) between the two straight legs (#3).
2. Use four bolts (#10) with washers (#8) to go through the legs (#3) and into the nuts in the leg brace (#4). Finger start the bolts.
3. Position the second leg brace (#4) between the two curved shaped legs (#2).
4. Use four bolts (#10) with washers (#8) to go through the legs (#2) and into the nuts in the leg brace (#4). Finger start the bolts.
5. Tighten all of the bolts (#10).
6. Test the swing action on both leg pairs. On one leg pair at a time, loosen the wing bolts until the inside nut (#13) makes contact with the inside of the leg. The locking disks should be able to rotate over each other. The leg assembly should pivot on the two wing bolts.
7. Repeat Step 6 on the second legs.
8. Return both leg pairs to the up position and tighten the wing bolts.



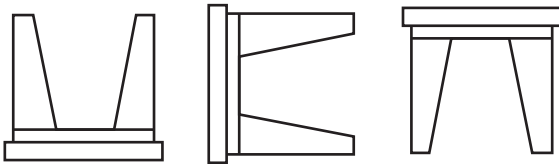
STEPS TO TURN THE BASE OVER

The base assembly is ready to be turned over.

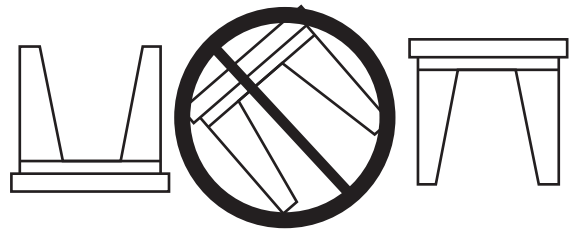
USE AT LEAST TWO PEOPLE TO LIFT THE BASE ASSEMBLY AND TURN IT OVER TO REST ON THE LEGS.

DO NOT ROLL THE TABLE OVER. This will place a sideways force on the legs. The legs should be off the floor until the base assembly is rotated completely. Set the base assembly down.

DO THIS

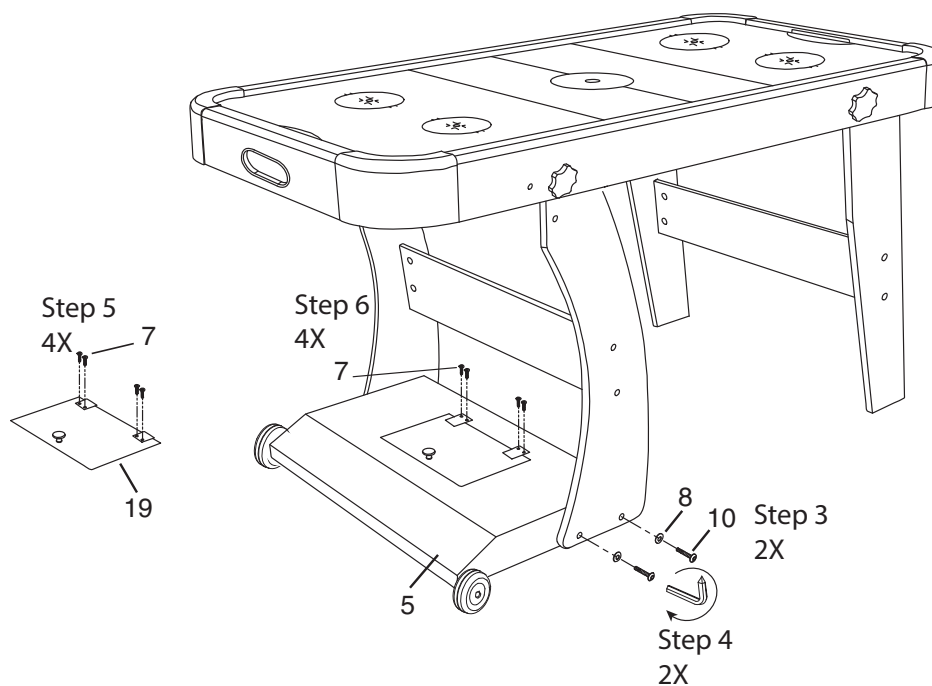


NOT THIS



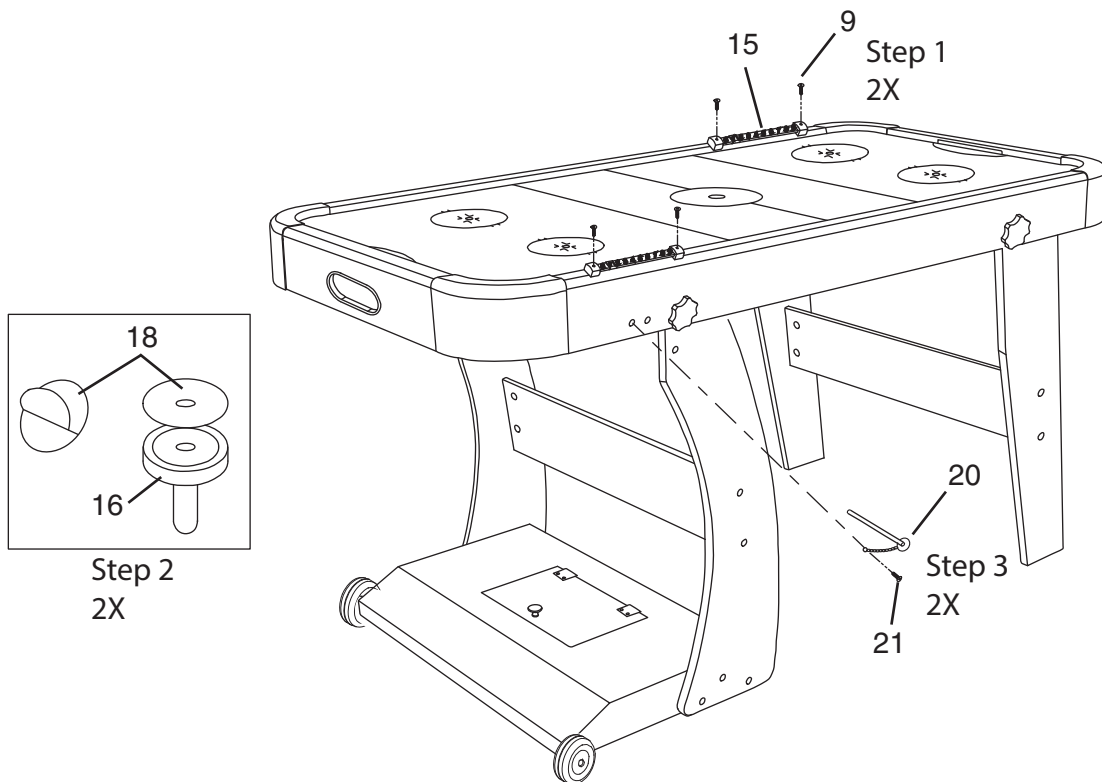
STEPS TO ATTACH THE GOAL BOX

1. Position the goal box (#5) between the two curved legs (#2).
2. Use two leg bolts (#10) with washers (#8) on each side.
3. Insert the four leg bolts (#10) thru the legs and into the goal box (#5). Tighten finger tight.
4. Tighten all four bolts (#10).
5. Locate the cover board (#6) and two hinges (#19). Position the hinges (#19) with the hinge pin side up and use the two screws (#7) to secure each hinge to the cover board (#6).
6. Place the cover board with hinges into the opening on the goal box (#5). Secure the hinges (#19) to the goal box (#5) using two screws (#7) for each hinge.



STEPS TO FINISH THE ASSEMBLY

1. Attach the two scorers (#15) to the top of the table. Use two flat head screws (#9) for each one.
2. Peel the backing off of one of the felt pads (#18). Stick the pad to one of the pushers (#16). Repeat for the remaining pusher (#16).
3. Locate the two pins (#20). The end of the chains will have a ring. Insert a screw (#21) through the ring and into the predrilled hole in the side skirt.
4. Insert the locking pins (#20) through the table skirt and into the legs (#2). Be certain that the pins are pushed in completely.
5. When you are ready to play the game plug in the fan cord.



How To Use The Space Saving Feature



WARNING: Serious or fatal crushing injuries can occur from the table tipping over. To help prevent tipover:

- Never climb or hang on the table.
- Do not use the gametable to hold objects.
- Always lock table in place when it is standing upright.
- Always lock table in place during play.
- Adult supervision required when moving, folding, or opening the table.
- Always lock ALL legs in place.
- Only lock table in full upright or full horizontal position.
- Do not move table while it is plugged in.

This air hockey table can be folded up to save floor space when it is not in use.

1. Loosen the two wing bolts (#14) on the curved legs until they stop. The locking disks should be able to rotate over each other.
2. Lift up on the edge of the table that has the straight legs.
3. When the table is fully up, screw wing bolts (#14) into the locking disks. Tighten to lock the table in the up position.

CAUTION: Be certain the two wing bolts and the locking disks are secured in the legs. If the locking disks are not properly connected the table can swing down causing damage or personal injury.

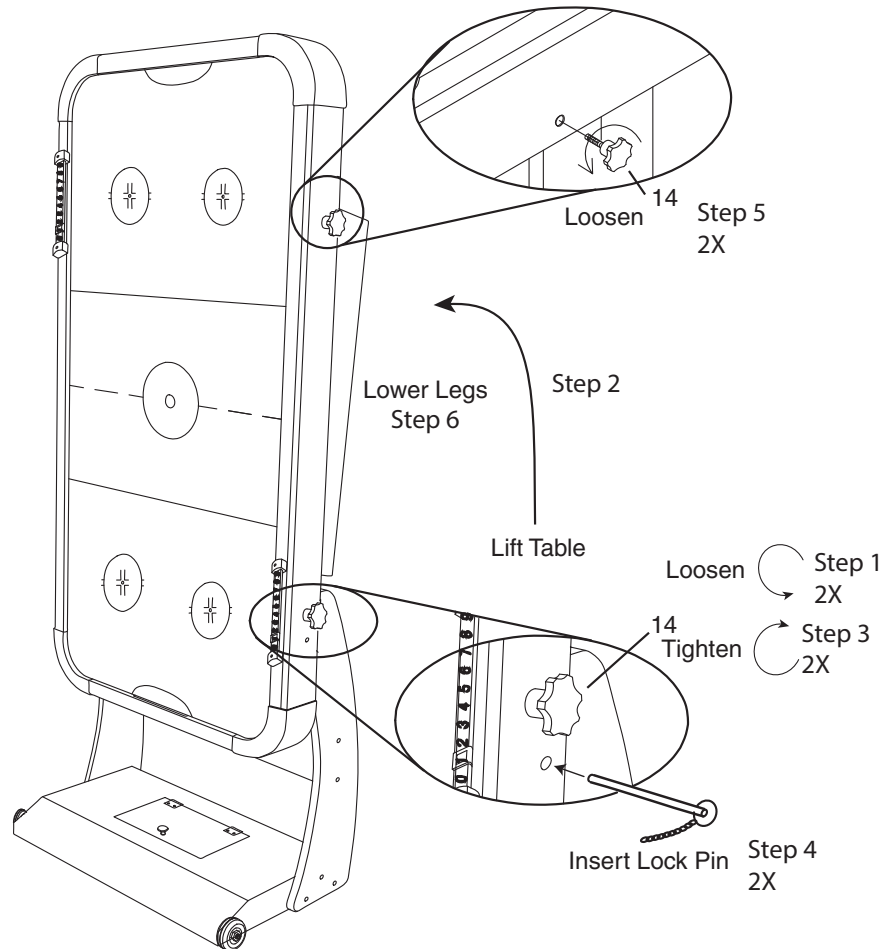
4. Insert the locking pins (#20) into the holes below the wing bolts. Be certain they go into the hole in the curved leg (#2).
5. Hold the straight legs (#3) in the up position. Loosen the two wing bolts (#14) until they stop.
6. Swing the legs down. When the legs are down the wing bolts may be tightened.
7. To lower the table for play, loosen the wing bolts (#14) on the straight legs (#3). Swing the legs upward until they are straight out (perpendicular) from the table. Then tighten the wing bolts (#14) to lock the disks in position.
8. Pull the lock pins (#20) out.
9. Hold the table in the up position and loosen the wing bolts (#14) on the curved legs (#2) until they stop. The locking disks should be able to rotate over each other.
10. Lower the table slowly until the straight legs (#3) are on the floor.

CAUTION: Do not drop or allow the table to free fall down. Personal injury or damage to the table may occur.

11. Tighten all four wing bolts (#14)

CAUTION: Do not leave children unattended near the folded up table. Be careful when moving a folded up table. The table is top heavy and can be tipped over, causing damage or personal injury.

CAUTION: To prevent personal injury or damage when tipping the table onto the wheels, be certain that the lock pins (#20) are in place and the wing bolts are tightened properly.



THE TABLE IS ASSEMBLED. IF IT IS NOT ALREADY IN POSITION FOR PLAY, IT CAN BE MOVED.

Care and Use of your Table

- This product is intended for INDOOR use only.
- DO NOT sit, climb, or lean on the table.
- DO NOT drag the table when moving it. This will damage the legs. Lift and use the wheels.
- Keep your table covered. The playing surface can be brushed or lightly vacuumed with low suction.
- To clean the hard surfaces spray a cloth with a mild cleaner and wipe.
- Spills and liquids will damage the playing surface. Wipe dry immediately.

If the fan does not go on

- Unplug from electrical outlet.
- The fan is located BELOW the table top.
- Inspect wiring for proper connection.

If the fan works but the table has dead spots

- Use a small drill bit and clear the holes by hand. DO NOT use an electric drill. Manually push the drill bit into the holes to clear.
- Polish the air hockey table by spraying a furniture polish onto a rag and wipe onto the table. Do not spray directly onto the table top.

90-DAY LIMITED WARRANTY

The Manufacturer warrants to the original retail purchaser that this product is free from defects in material and workmanship under normal use and conditions for a period of ninety (90) days from the date of original purchase. The Manufacturer's liability is limited to the repair or replacement, at its option, of any defective product and shall not include any liability for indirect, incidental or consequential damages of any kind.

Should this product become defective due to material or workmanship within the warranty period, contact our Customer Service Department. This warranty is not transferable and does not cover normal wear and tear or damage caused by improper usage, negligence, misuse, abuse, transportation damage, acts of nature, or accident (including failure to follow the instructions in this manual). It does not cover expendable items such as batteries, light bulbs, fuses, accessories, cosmetic parts and other items that wear out due to normal usage, including felt covered areas of the playing surface. This warranty is also void if the product is disassembled and reassembled, damaged, modified from its original state, or used for other than indoor personal residential use (no commercial or rental applications). This warranty gives you specific legal rights, and you may have other rights which vary from state to state.

IF YOU HAVE A WARRANTY CLAIM, CALL US FIRST (8 - 4:30 CST):

Please have your receipt and item number (found on the front cover) when you call.

GLD Products

S84 W19093 Enterprise Drive

Muskego, WI 53150 USA

1-800-225-7593

Fax: 1-800-841-6944

Email: gld@gldmfg.com

Web: www.gldproducts.com

If you are instructed to return the product for service, you are responsible for shipping the unit at your expense to the above address in packaging that will protect against further damage. All warranty or repair requests require a Return Authorization Number prior to returning the item.

PRODUCT REGISTRATION

Important: The product registration form on page 19 must be completed and returned along with a copy of your receipt within 10 days of purchase to validate your warranty.

On-line registration is also available.

Go to <http://www.gldproducts.com/warranty-registration> or click on this link. Follow the on-line instructions.

This page left blank intentionally.

REGISTER YOUR PRODUCT

Place postage here

Complete this form, include a copy of your receipt, fold, tape (do not staple) and return within 10 days of purchase. This protects your warranty and will help us develop new products!

Cut here.

GLD Products
Warranty Department
S84 W19093 Enterprise Drive
Muskego, WI 53150 USA

Fold here second.



www.gldproducts.com

- GAME TABLES
- GAMES AND ACCESSORIES
- BILLIARD ACCESSORIES
- SOFT-TIP DARTS
- FLIGHTS AND SHAFTS
- HOME CASINO
- BILLIARD CUES
- DARTBOARDS
- STEEL-TIP DARTS
- DART CASES AND ACCESSORIES

Fold here first.

Name	Date of Purchase
Address	Phone-Day
City	Phone-Evening
State Zip	Email
Purchase Price:	Item: 64-6030 Space Saving Air Hockey Table
Store Name:	

Remember to attach a copy of your receipt.

This page left blank intentionally.

Mail To: GLD Products
S84 W19093 Enterprise Drive
Muskego, WI 53150 USA
1-800-225-7593 • FAX 800-841-6944
Email: gld@gldmfg.com
Web Site: www.gldproducts.com

Space Saving Air Hockey Table

Item 64-6030

Parts Order Form

Please call or consult the GLD website, gldproducts.com, to order the following parts.

Order No.	Description
4-171	Table Assembly
4-172	Curved Leg
4-173	Leg
4-174	End Brace
4-175	Goal Box
4-176	Cover Board
4-177	3.5 x 10.5 mm Washer Head Screw
4-178	6 x 40 mm Leg Bolt
3-187	18 x 6.5 mm Washer
3-286	3.5 x 25 mm Flat Head Screw
4-180	8 x 40 mm Wing Bolt
4-181	Scorer
4-182	Pusher
4-183	Puck
4-184	Felt Pad
2-25	Wrench
3-190	Allen Wrench
4-185	Barrel Nut
4-186	Axle
1-267	Wheel
1-268	Axle Nut
4-200	Hinge, Cover Board
4-201	Locking Pin
3-285	3.5 x 12 mm Washer Head Screw
4-179	M8 Nut

This page left blank intentionally.



www.gldproducts.com

GAME TABLES

HOME CASINO

GAMES AND ACCESSORIES

BILLIARD CUES

BILLIARD ACCESSORIES

DARTBOARDS

SOFT-TIP DARTS

STEEL-TIP DARTS

FLIGHTS AND SHAFTS

DART CASES AND ACCESSORIES



PROUD MANUFACTURER OF



S84 W19093 Enterprise Drive • Muskego, WI 53150 USA
262.679.8730 or 1.800.225.7593 tele
262.679.8738 or 1.800.841.6944 fax
Email: gld@gldmfg.com
www.gldproducts.com